 SWITCHING POWER SUPPLY	<b>PRODUCT SPECIFICATION</b>	File: EA-350ST-A11
	Model:SSP-350ST Active PFC Full Range Rev.:1.1	Date: Nov. 24, 2016 Page: 1 of 6

## 1.0 INPUT:

### 1.1 VOLTAGE

	MINIMUM	MAXIMUM	UNITS
INPUT RANGE	90	264	Vrms
RATED RANGE	100	240	

\* The rated power will derate from 100% to 80% from 100Vac to 90Vac Linearly

### 1.2 FREQUENCY

50Hz ~ 60Hz(±3Hz)

### 1.3 CURRENT

6A/100V, 3A/240V

### 1.4 INRUSH CURRENT

115V/50A(max.), 230V/100A(max.) at 25°C (cold start)

### 1.5 POWER EFFICIENCY

At 20%/50%/100% load AC 115V 60Hz and AC 230V 50Hz

Platinum(90%/92%/89%)

Gold(87%/90%/87%)

Silver(85%/88%/85%)

Bronze(82%/85%/82%)

Standard(80%/80%/80%)

### 1.6 STANDBY MODE

During measurement of the "STANDBY MODE" condition, the main converter is off (PS\_ON=High). +5Vsb converter is working and standby input power is measured.

Load Condition	Efficiency	Power in
<45mA	----	<0.45W
45mA	>=50%	----
100mA	>=55%	
250mA	>=65%	----
1.0A	>=75%	----
<b>*2013 ErP Standby efficiency</b>		

 SWITCHING POWER SUPPLY	<b>PRODUCT SPECIFICATION</b>				File: EA-350ST-A11
	Model: SSP-350ST Active PFC Full Range Rev.:1.1				Date: Nov. 24, 2016 Page: 2 of 6

### 1.7 ACTIVE POWER FACTOR CORRECTION (PFC):

PFC at half/full load:

>**0.95** at AC 110v 60Hz(typical)

>**0.90** at AC 230v 50Hz(typical)

### 2.0 OUTPUT:

GROUP	1					2
	+5V	+12V1	+12V2	-12V	+3.3V	+5VSB
VOLTAGE	+5V	+12V1	+12V2	-12V	+3.3V	+5VSB
MAX.LOAD	16A	18A	18A	0.3A	12A	2A
MIN.LOAD	0.2A	0.1	0A	0A	0A	0A
REGULATION	±5%	±5%	±5%	±10%	±5%	±5%
RIPPLE & NOISE (mV)	50	120	120	120	50	50
Capacitive Loads_(uF)	5000	10000	10000	330	5000	5000

NOTE:

- The continuous maximum total output power shall not exceed 350W.  
 +12V1 and +12V2 DC maximum output power shall not exceed 27A(324W).  
 +3.3V and +5V DC maximum combined output power shall not exceed 82W.
- Maximum peak total DC output power should not exceed 385W.
- Peak power and current loading should be supported for a minimum of 1 second.
- Ripple and Noise measuring with an oscilloscope with 20 MHz bandwidth. Output should be bypassed at the connector with a 0.1uF ceramic disk capacitor and a 10uF electrolytic capacitor to simulate system load. The length of ground wire on probe should not longer than 40mm, if a Non - differential type of scope was used.

 SWITCHING POWER SUPPLY	<b>PRODUCT SPECIFICATION</b>	File: EA-350ST-A11
	Model: SSP-350ST Active PFC Full Range Rev.:1.1	Date: Nov. 24, 2016 Page: 3 of 6

## 2.1 CROSS REGULATION

The +5V & +3.3V combined load and +12VDC load shall remain within the defined in section 2.0 over cross load combinations shown Figure 1:

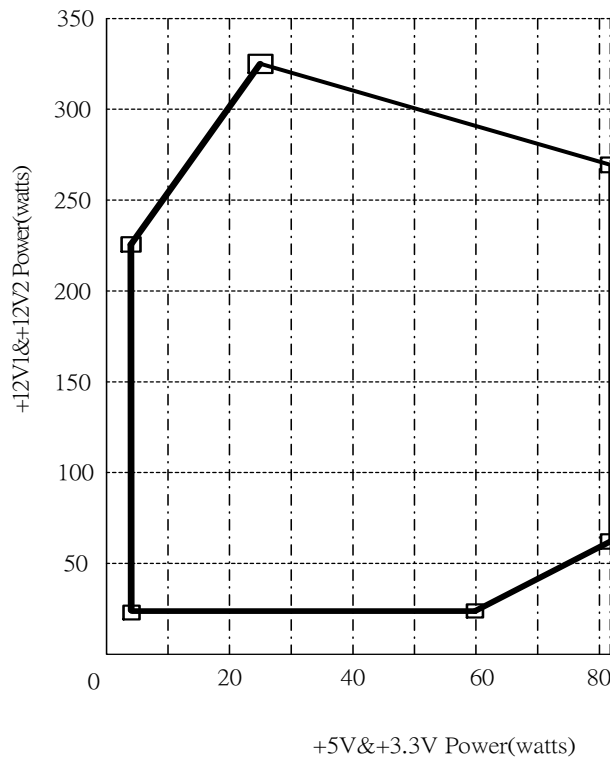


Figure 1

## 2.2 HOLD-UP TIME: 10ms(minimum)

Test Condition: Full load. AC input 115V or 230V, 47Hz .

## 2.3 LOAD TRANSIENT RESPONSE (STEP LOAD)

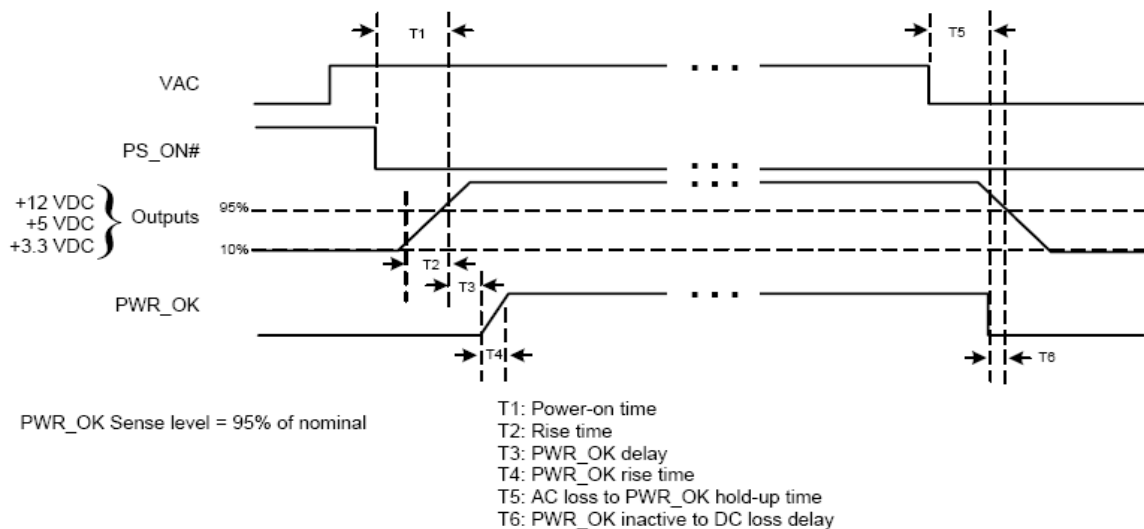
Step load changes up to 60%(12V) and 30%(3.3V and 5V) of full load, while other loads remains constant within the rating. The load waveform shall be a square wave with the slope of the rise and fall at 1.0A/usec and the frequency shall be from 50Hz to 10kHz. The DC output voltage will stay within regulation during the step load changes.

## 2.4 OVERSHOOT

Overshoot at turn on or turn off shall be less than 10% for 3.3, 5V and 12V output voltage, and 10% for -12V output voltage.

## 2.5 TIMING, HOUSEKEEPING AND CONTROL

A low active PS-ON (DC ON/OFF) input signal is equipped, which provide the interface **ENABLE** or to **DISABLE** the **GROUP1** of DC output. This signal is electrically to interface with **TTL, OPEN COLLECTOR** and the **HARD SWITCH**.



SIGNAL NAME		MAXIMUM	MINIMUM
T1	PS_Power-on time	500mS	
T2	Rise time from each main output	20mS	0.2mS
T3	PWR_ok delay	500mS	100mS
T4	PWR_ok rise time	10mS	
T5	AC loss to PWR_OK hold-up time		10mS
T6	PWR_OK inactive to DC loss delay		1mS

### 2.5.1 POWER GOOD SIGNAL:

Signal Type: open collector +5DC, TTL compatible.

Logic Level: <0.4V while sinking 4 mA.

Logic Level High: between 2.4VDC and +5V output while sourcing 200 uA.

Max Ripple/Noise: 400mV pk-pk. (no capacitor test)

 SWITCHING POWER SUPPLY	<b>PRODUCT SPECIFICATION</b>	File: EA-350ST-A11
	Model: SSP-350ST Active PFC Full Range Rev.:1.1	Date: Nov. 24, 2016 Page: 5 of 6

### 3.0 OUTPUT PROTECTION

#### 3.1 TOTAL POWER PROTECTION: (OPP)

Total power 135% max with shut-down and latch off protection.

#### 3.2 OVER VOLTAGE PROTECTION: (OVP)

OVER VOLTAGE AT	ACTIVE RANGE		RESULT
	Min.	Max.	
+3.3V	3.76V	4.3V	Shut down & Latch OFF The Group 1 DC Output
+5V	5.74V	7.0V	
+12V	13.4V	15.6V	
+5Vsb	5.74V	7.0V	

#### 3.3 SHORT CIRCUIT PROTECTION: (SCP)

The short between any output of group 1 will shut down all group 1.

The short at group 2 will Shut down both group 1 and group 2.

#### 3.4 NO-LOAD SITUATION

No damage or hazardous condition should occur with all the DC output connectors disconnected from the load. The power supply may latch into the shutdown state.

#### 3.5 RESET AFTER SHUTDOWN

Whenever the power supply latches into shutdown state due to fault condition on its output, The power supply will return to normal operation only after the fault has been removed and the power switch has been cycled off/on with A MINIMUM OFF TIME OF 20mS. (PS-ON)

### 4.0 COOLING OF POWER SUPPLY

A DC fan was equipped to cooling the power supply and system load, the fan will blow air into power supply and exhaust through the vent holes in AC receptacle side.

Fan parameters:

Rated Voltage	12VDC
Dimension	120*120*25(mm)
Air flow	80.5 CFM min.
Noise	<42.0 db(A)

 SWITCHING POWER SUPPLY	<b>PRODUCT SPECIFICATION</b>	File: EA-350ST-A11
	Model: SSP-350ST Active PFC Full Range Rev.: 1.1	Date: Nov. 24, 2016 Page: 6 of 6

## 5.0 ENVIRONMENT

### 5.1 OPERATING

AMBIENT OPERATION TEMPERATURE: 0 to 40 °C. (The rated power will derate from 100% to 80% from 40°C to 50 °C Linearly)

AMBIENT OPERATION RELATIVE HUMIDITY: 20% to 80%

### 5.2 SHIPPING / STORAGE

AMBIENT STORAGE TEMPERATURE: -40 to 85 Deg C

AMBIENT STORAGE RELATIVE HUMIDITY: 10% to 95%

## 6.0 MTBF

Over 100,000 hours at 25 Deg C. excluding the DC Fan.

## 7.0 EMC

Comply to EN55022: 2006 +A1: 2007 Class B, EN55024: 1998 +A1: 2001 +A2: 2003, EN61000-3-2: 2006 Class A/D, EN61000-3-3: 1995 +A1: 2001 +A2: 2005, CISPR 22: 2005 +A1: 2005 +A2: 2006, ICES-003: 2004, AS/NZS CISPR 22: 2006.

## 8.0 SAFETY

Confirm to IEC 60950-1: 2009, EN 60950-1/A12: 2011, UL 60950-1, 2nd Edition & CSA C22.2 No. 60950-1-07, 2nd Edition.

## 9.0 MECHANICAL

Dimension: W 140mm x L 150mm x H 86mm